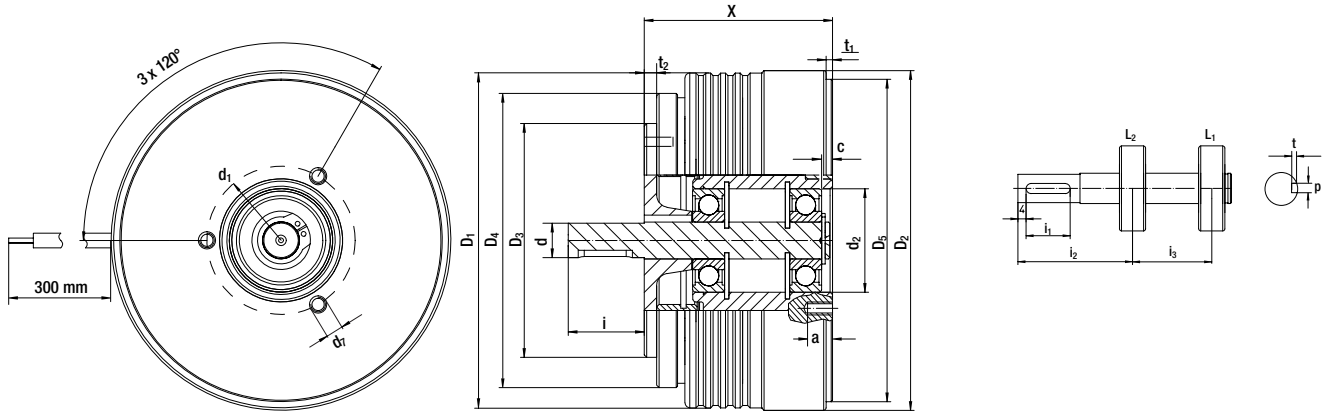


# Hysteresebremsen

## Hysteresis Brakes

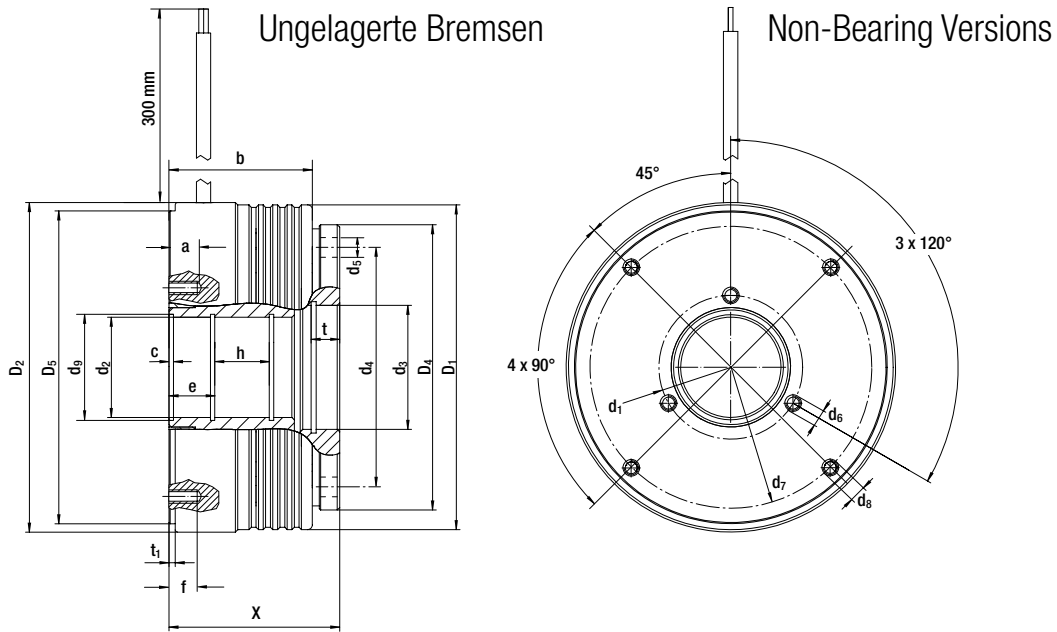
Gelagerte Bremsen

Bearing versions



Ungelagerte Bremsen

Non-Bearing Versions



HBU 0,05L

